



COMMERCIAL VEHICLE AUCTIONS LTD
THE UK'S MOST ESTABLISHED COMMERCIAL VEHICLE AUCTIONEERS

Carr Hill Industrial Estate
Doncaster
DN4 8DE

01302 732600 | cva.noreply@cva-auctions.co.uk

VEHICLE INSPECTION REPORT

ST74LVJ

Ford Ranger Wildtrak 2.0 EcoBlue 205

Inspection

Serious Damage? No

Vehicle

VAT Plus VAT

V5 Buyer To Apply

Details

Reg. date	11/10/2024	Colour	ORANGE	CAP Average	£25,150.00
Year	2024	VIN	6FPPXXMJ2PRC05211	CAP Below	£22,200.00
Mileage	33,373 Miles Not Warranted	Body Style	Pickup Double Cab	Gearbox	AUTOMATIC
Fuel Type	Diesel	MOT Due	10/10/2027	Gears	1
GVW	3280kg	CAP Clean	£26,650.00		

WARNING LIGHT ON DASH, ALPHA CANOPY (NO KEYS), AD-BLUE

Tyres

NSF

NSR

OSF

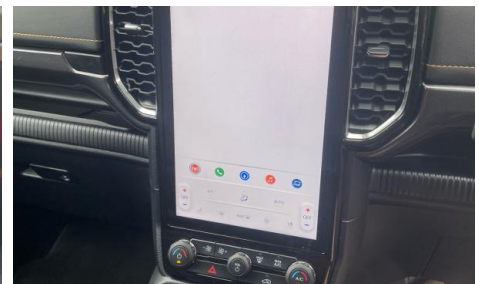
OSR

Spare

Features

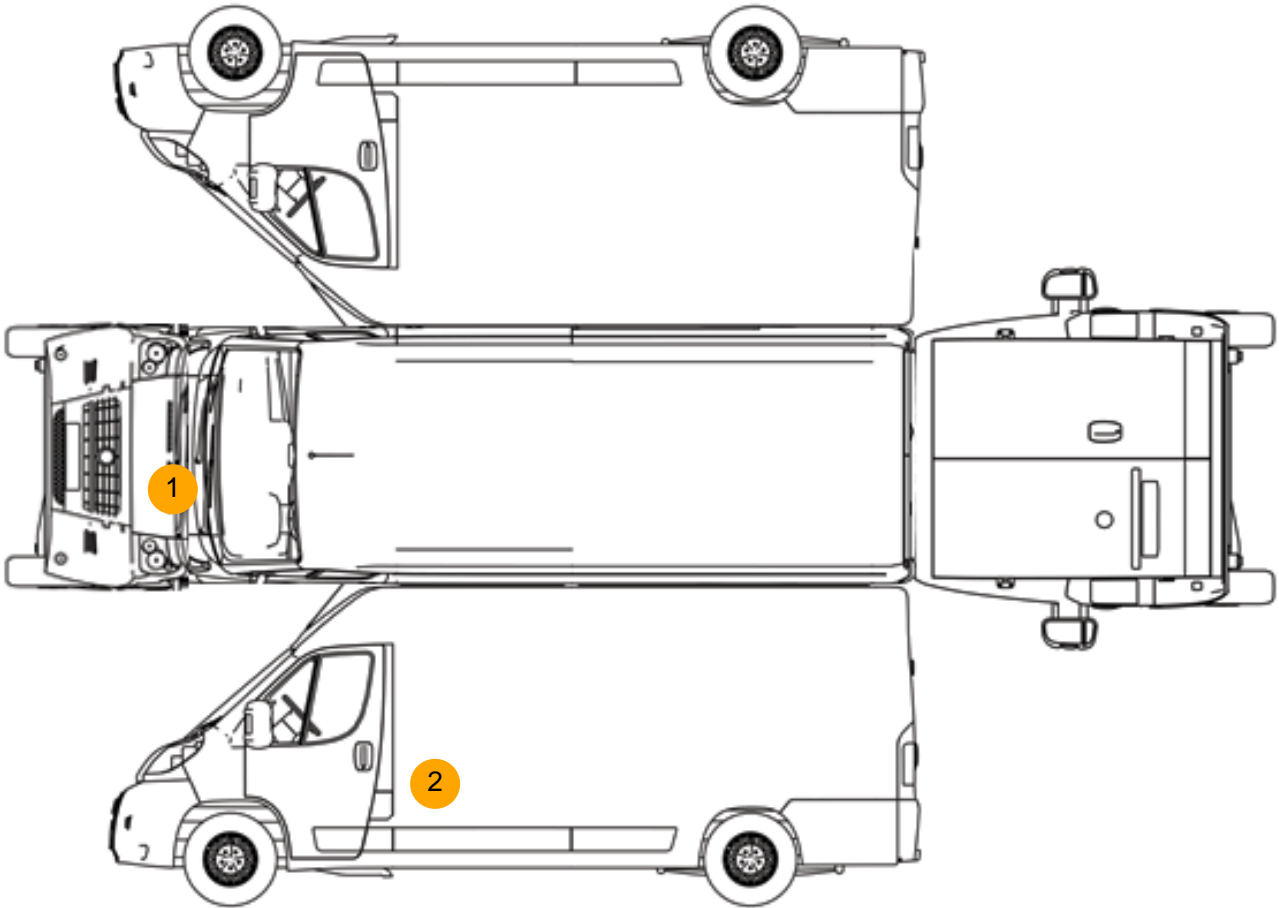
- Bluetooth connection
- Navigation system
- Radio/CD
- Drivers airbag
- Cruise control
- Park assist camera
- Air conditioning
- Passenger airbag
- Front parking sensor
- Rear parking sensor
- Front electric windows
- Central locking
- Heated front seat
- Mobile phone App interface
- Rear electric windows
- Leather seat trim

Photos





Condition Check



Damage Photos



1: Bonnet
Chipped
Multiple Chips

2: D Post os
Dented
2 Or Less UpTo 10mm

Interior

Carpet Condition OK
Seat Condition OK

Upholstery Condition OK
Odour No

Engine Runs	OK	Gearbox 1st and Reverse Test	OK
Brakes	OK	Clutch Slip Test from Static	OK
Turbo Boosting	OK	Gearbox Static Gear Selection (engine running)	OK
Parking Brake	OK	No Excessive Smoking	OK
EML light illuminated	Fault	Oil warning light illuminated	OK
Airbag light illuminated	OK	DPF light illuminated	OK
ABS light illuminated	OK	Service indicator light illuminated	OK
Windows	OK	Radio	OK
Sat nav	OK	Steering	OK